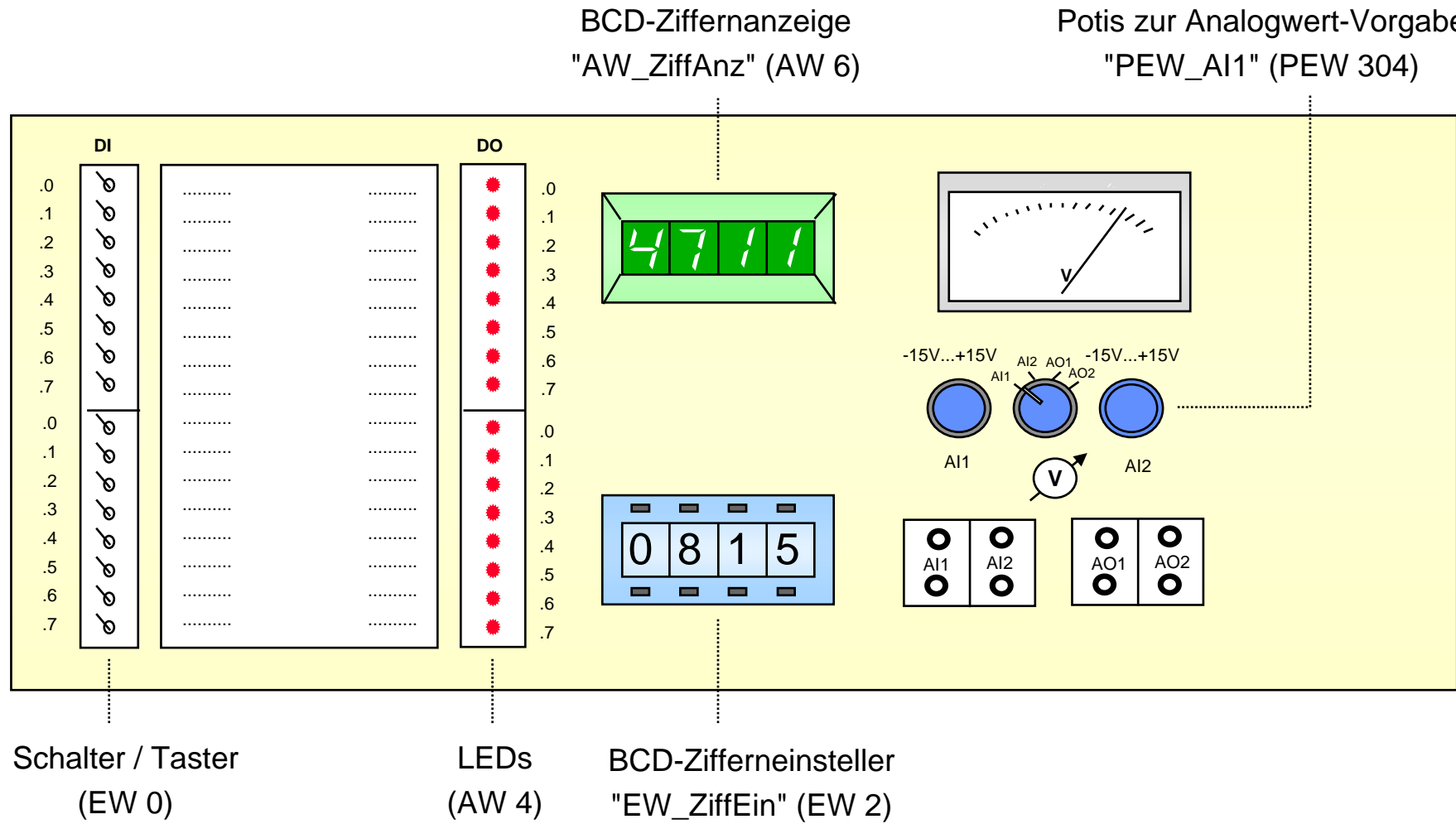


Aufbau des Simulators



Aufbau des Bandmodells

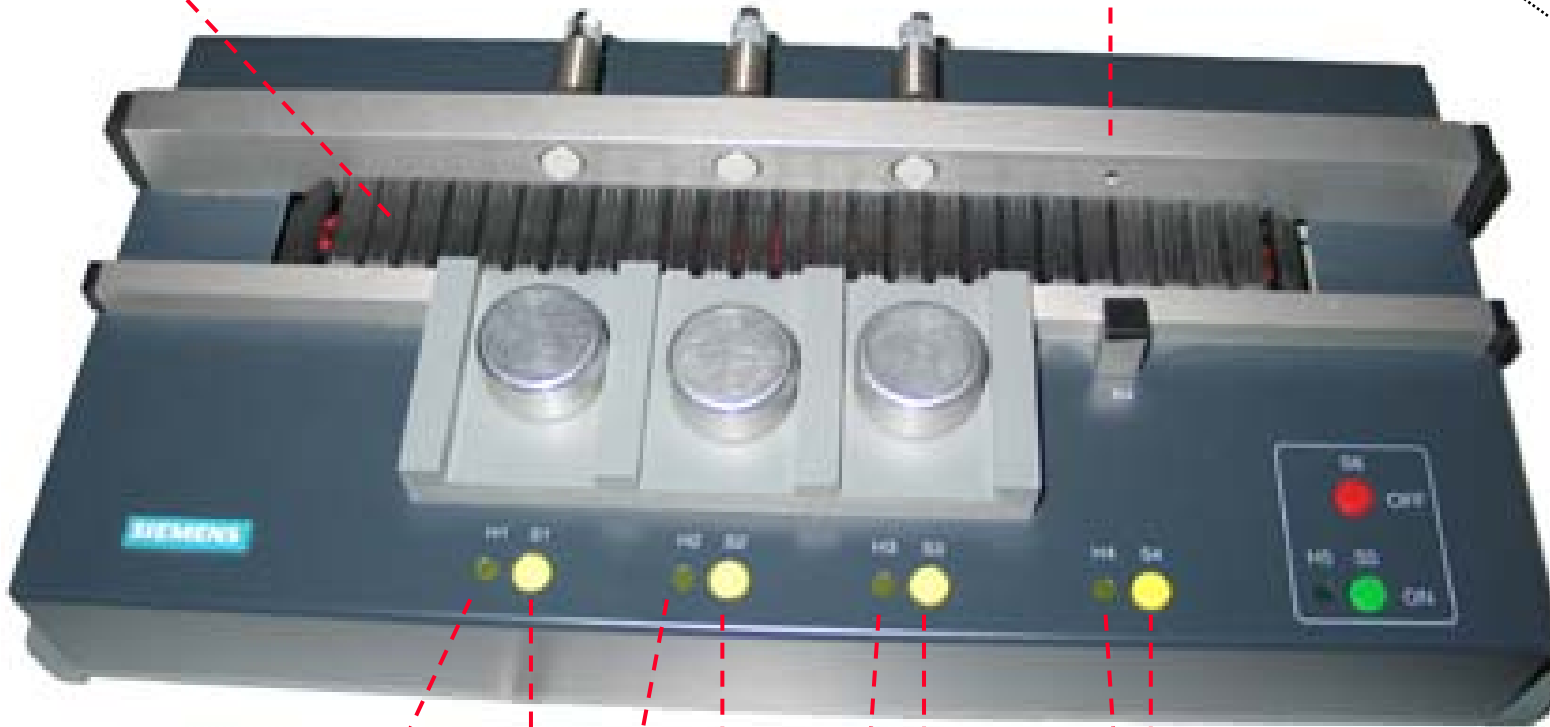
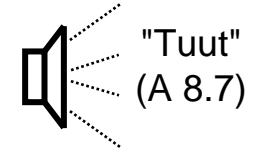
"K_RECHTS" (A 8.5)
"K_LINKS" (A 8.6)

"INI1"
(E 8.5)

"INI2"
(E 8.6)

"INI3"
(E 8.7)

"LS"
(E8.0)



"T_Platz1" (E 8.1)	"T_Platz2" (E 8.2)	"T_Platz3" (E 8.3)	"T_Platz-LS" (E 8.4)
"H_Platz1" (A 8.1)	"H_Platz2" (A 8.2)	"H_Platz3" (A 8.3)	"H_Platz-LS" (A 8.4)