
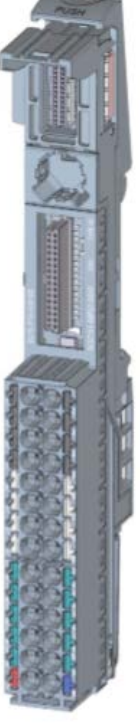
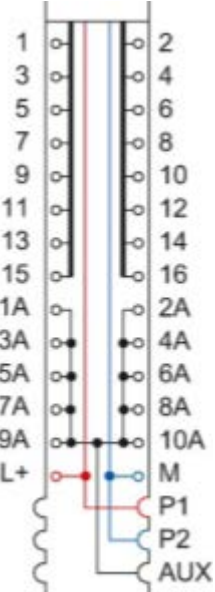
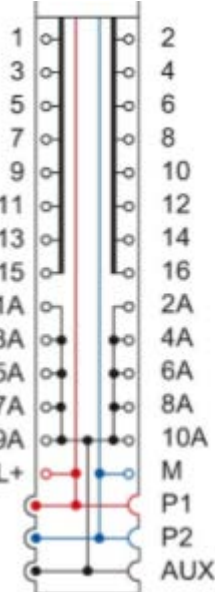


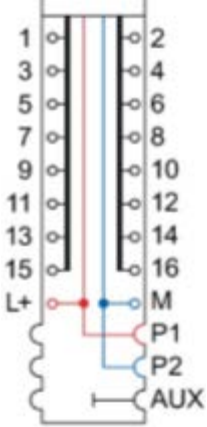
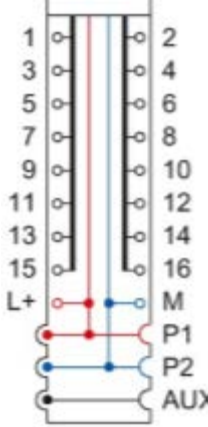


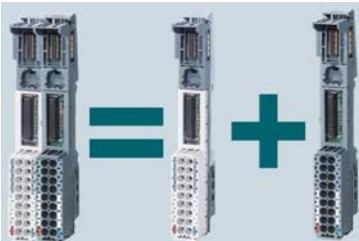
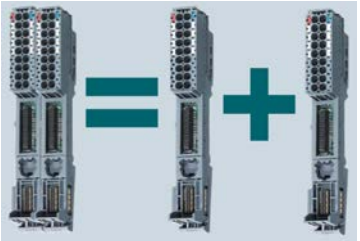
## ET200SP BaseUnits Anschlussschemas

### BU-Typ A0 mit AUX-Klemmen


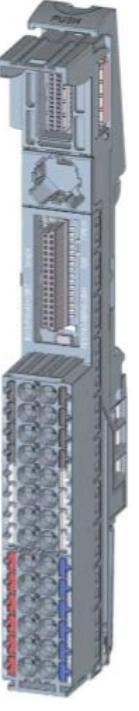
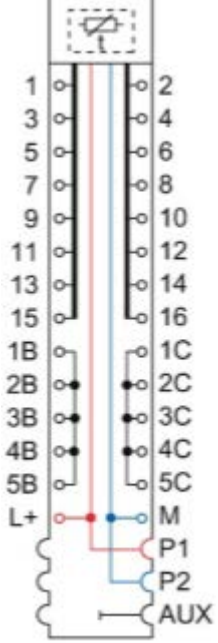
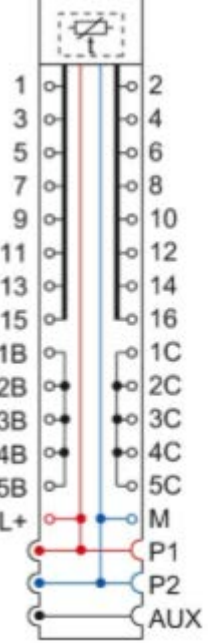
6ES7193-6BP20-0DA0	6ES7193-6BP20-0BA0
BU15-P16+A10+2D	BU15-P16+A10+2B
CHF 32.26	CHF 20.53
	
 <p>Terminal block connection diagram for 6ES7193-6BP20-0DA0. The diagram shows a 16-pin terminal block with terminals numbered 1 through 16, followed by 1A through 10A, L+, M, P1, P2, and AUX. The connections are as follows: Terminal 1 is connected to L+ (red), terminal 2 to M (blue), terminal 3 to P1 (red), terminal 4 to P2 (blue), terminal 5 to AUX (black), terminal 6 to terminal 10, terminal 7 to terminal 14, terminal 8 to terminal 18, terminal 9 to terminal 12, terminal 10 to terminal 16, terminal 11 to terminal 13, terminal 12 to terminal 15, terminal 13 to terminal 17, terminal 14 to terminal 19, terminal 15 to terminal 21, terminal 16 to terminal 23, terminal 1A to terminal 2A, terminal 3A to terminal 4A, terminal 5A to terminal 6A, terminal 7A to terminal 8A, terminal 9A to terminal 10A.</p>	 <p>Terminal block connection diagram for 6ES7193-6BP20-0BA0. The diagram shows a 16-pin terminal block with terminals numbered 1 through 16, followed by 1A through 10A, L+, M, P1, P2, and AUX. The connections are as follows: Terminal 1 is connected to L+ (red), terminal 2 to M (blue), terminal 3 to P1 (red), terminal 4 to P2 (blue), terminal 5 to AUX (black), terminal 6 to terminal 10, terminal 7 to terminal 14, terminal 8 to terminal 18, terminal 9 to terminal 12, terminal 10 to terminal 16, terminal 11 to terminal 13, terminal 12 to terminal 15, terminal 13 to terminal 17, terminal 14 to terminal 19, terminal 15 to terminal 21, terminal 16 to terminal 23, terminal 1A to terminal 2A, terminal 3A to terminal 4A, terminal 5A to terminal 6A, terminal 7A to terminal 8A, terminal 9A to terminal 10A.</p>

**BU-Typ A0 ohne AUX-Klemmen**



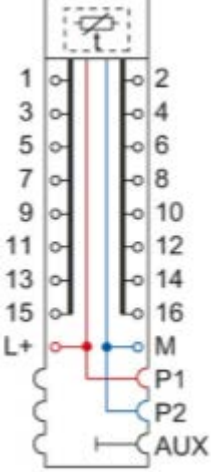
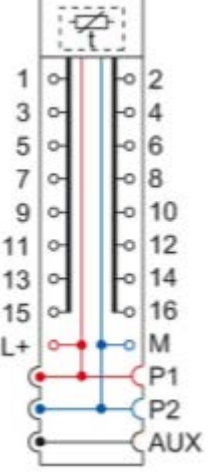
6ES7193-6BP00-0DA0	6ES7193-6BP00-0BA0
BU15-P16+A0+2D	BU15-P16+A0+2B
CHF 27.09	CHF 15.36
	
	

6ES7193-6BP60-0DA0	6ES7193-6BP60-0BA0
CHF 38.21	CHF 27.66
	
<p>6ES7193-6BP00-0DA0 + 6ES7193-6BP00-0BA0 = 2x 6ES7193-6BP00-0BA0</p> <p>Auf leere Steckplätze können Abdeckungen gesteckt werden. (6ES7133-6CV15-1AM0 / CHF 23.46)</p>	

### BU-Typ A1 mit Zusatzklemmen

6ES7193-6BP40-0DA1	6ES7193-6BP40-0BA1
BU15-P16+A0+12D/T	BU15-P16+A0+12B/T
CHF 38.12	CHF 26.39
Mit Temperatur-Erfassung	Mit Temperatur-Erfassung
	
	

**BU-Typ A1 ohne Zusatzklemmen**

6ES7193-6BP00-0DA1	6ES7193-6BP00-0BA1
BU15-P16+A0+2D/T	BU15-P16+A0+2B/T
CHF 33.01	CHF 21.23
Mit Temperatur-Erfassung	Mit Temperatur-Erfassung
	
	

**BU-Typ B0 und B1, Variante dunkel, mit AUX-Klemmen**

6ES7193-6BP20-0BB0	6ES7193-6BP20-0BB1
BU20-P12+A4+0B	BU20-P12+A0+4B
CHF 21.11	CHF 21.11
